

 **mitsubishi electric corporation**

1-3 Komaba-cho, Nakatsugawa City, Gifu Prefecture, Japan

**Hand Dryer**

Model

**JT-SB216ESH-W-CE**

Single-phase 220-240VAC

**Installation Manual****For dealers and installers**

The Instruction Manual and Usage Sticker are for the customer, and should be handed over together with the unit.

- Read this manual thoroughly before beginning installation to ensure the unit is installed safely and correctly. Local installation standards should be obeyed and installation should be performed by a qualified professional.

**Safety precautions****WARNING** The following may lead to death or serious personal injury if done incorrectly.

Prohibited

- Do not attempt installation with the power on in the unit (supply mains). This may cause electrical shock.
- Do not use at locations where salt damage may occur or where corrosive, neutral or reductive gas are present. Failure to do any of the above may cause fire, electric shock or trouble.



Do not disassemble

- Do not modify or disassemble more than necessary. This may cause fire, electric shock, or injury.
- Do not remove the heater. It may cause fire, electric shock or injury.



Do not use in shower room

- Do not install in shower room or other locations with a great deal of humidity in the air, where condensation may form on the unit, or where the unit may come in direct contact with water. This may cause electric shock or malfunction.

Important!  
Follow instructions

- Use a single-phase alternating current 220V-240V power supply.
- Voltage in excess of 240V+10% may cause mechanical failure, so stay within the rated range. Using an incorrect power supply may cause fire, electric shock, or malfunction.
- Electrical wiring work should be done by a certified professional in conformance with local standards. Incorrect wiring can cause electric shocks and fire.
- Be sure to install a ground-fault circuit interrupter. Lack of one may cause electric shock.
- A means for disconnection must be incorporated in the fixed wiring in accordance with the wiring rules.
- This appliance is not intended for use by young children or infirm persons unless they are adequately supervised by a responsible person to ensure that they can use the appliance safely.
- Young children should be supervised to ensure that they do not play with the appliance.



Grounded connection

- Be sure the unit is properly grounded. Lack of a proper ground may cause electric shock during malfunction or short circuit.

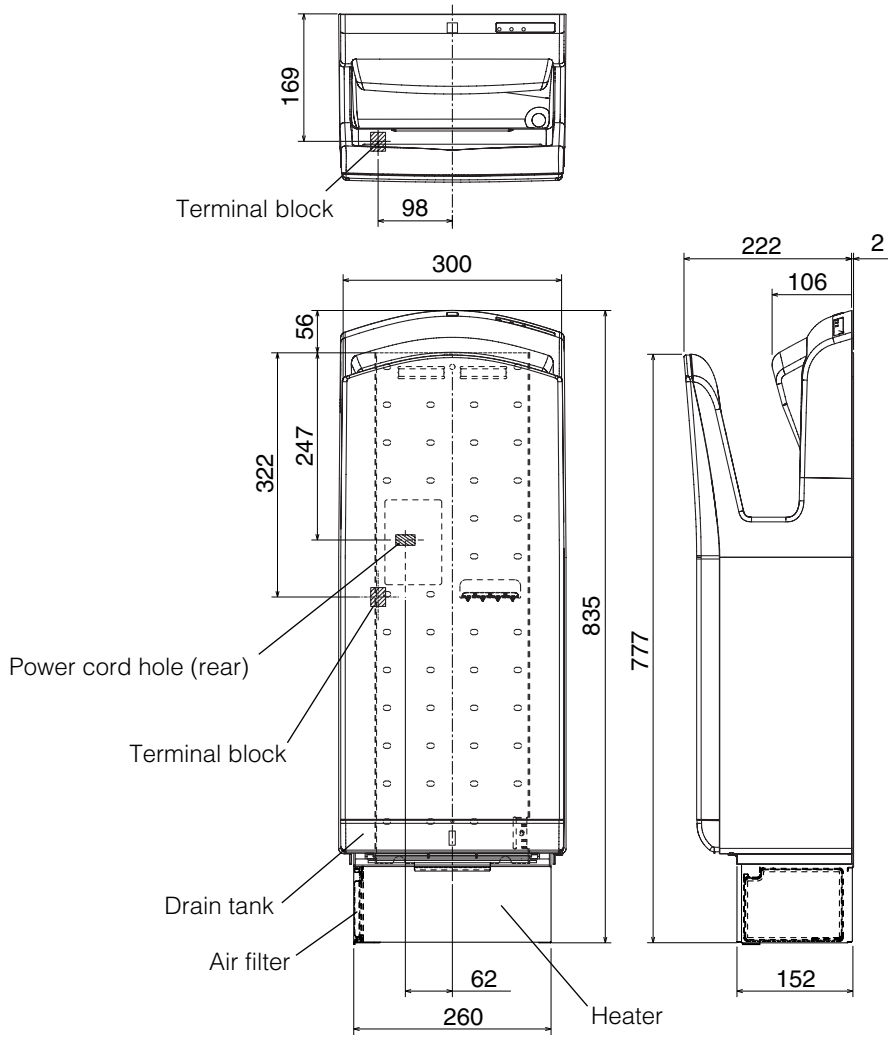
**CAUTION** The following may lead to injury or damage to buildings or their contents if done incorrectlyImportant!  
Follow instructions

- Do not install the unit in places where vandalism might occur. Vandalism may cause malfunction.
- Install in a location strong enough to support the weight of the unit. Injury may be caused by the unit falling.
- Wear gloves when installing the unit. Not doing so may cause injury.

# Names and Dimensions of Parts

## Accessories

- Installation panel screws (5x30 self-tapping) ----- 6
- Installation panel ----- 1
- Clip ----- 1
- Clip mounting screw ----- 1



Unit:mm

## Test run

	Step	What to check for	Check
1	Check power supply voltage	Is single-phase alternating current 220V-240V being used?	
2	Turn the ground-fault circuit interrupter on		
3	Turn on power by using the means for disconnection		
4	Turn the power switch on	Is the power lamp in the display on ?	
5	Dry hands	Is the air blowing?	
6	Turn the air speed knob while inserting the hands.	Does the air speed change?	
7	Turn on the heater switch.	Is the heater lamp illuminating at the display? Does hot air blow out? (It takes a few minutes before hot air blows after turning on the switch.) (Burning smell of oil, dirt, etc. at the heat storage section in the heater may be felt at the start of use but this is normal and there is no problem.)	
8		Is the unit mounted securely without any vibration or noises?	

\* Do not turn the power switch on with your hands inside the Hand-drying area.

\* Turn the power switch off if the check lamp in the display is either on or blinking, and then turn the power back on 40 seconds after you've made sure all the lamps in the display are off.

# Installation

**Warning**

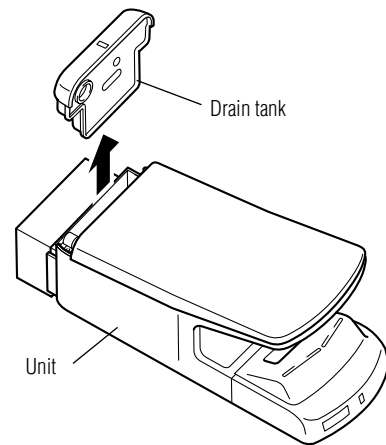
**!** Do not use socket-outlets near water.  
(Follow local standards and guidelines)

Important!  
Follow instructions

- Make sure that the power supply is a single-phase alternating current 220-240V.
- Make sure that a ground-fault circuit interrupter is installed in the fixed wiring.
- Make sure that a means for disconnection is incorporated in the fixed wiring in accordance with the wiring rules.
- Turn off power by using the means for disconnection.
- Use wires in compliance with the wiring rules within a range of 1.0 mm<sup>2</sup> or over and less than 2.5 mm<sup>2</sup>.

# 1

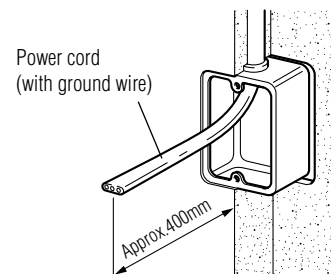
## Remove the drain tank.



## Install a conduit box.

Install a conduit box in the wall. Then pull the power cord out from the conduit box with approx 400mm (together with the ground wire).

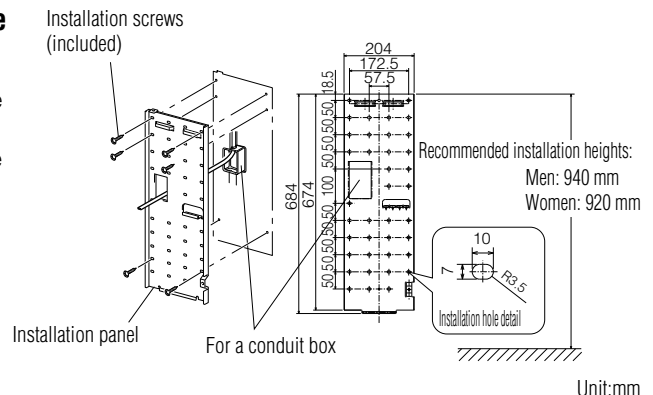
- If no conduit box is installed, the power cord could hinder the unit from seating snugly on the wall.



# 2

## Attach the installation panel to the wall using the 6 installation screws.

- If the wall is concrete, use commercially available metal screw plugs (curl plugs, etc.).
  - If the wall is not concrete, reinforce it before installation.
- ※ Adjust the appropriate setting heights.

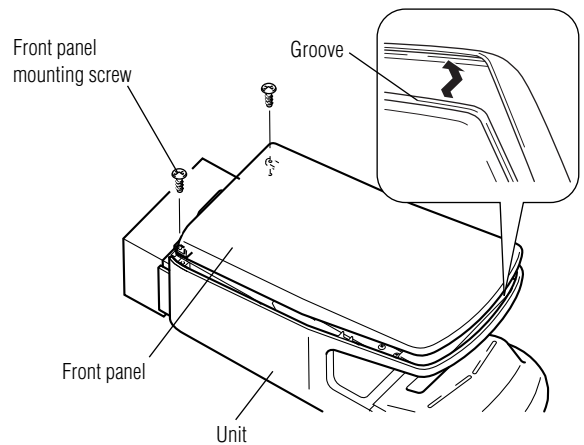


## Installation (Continued)

3

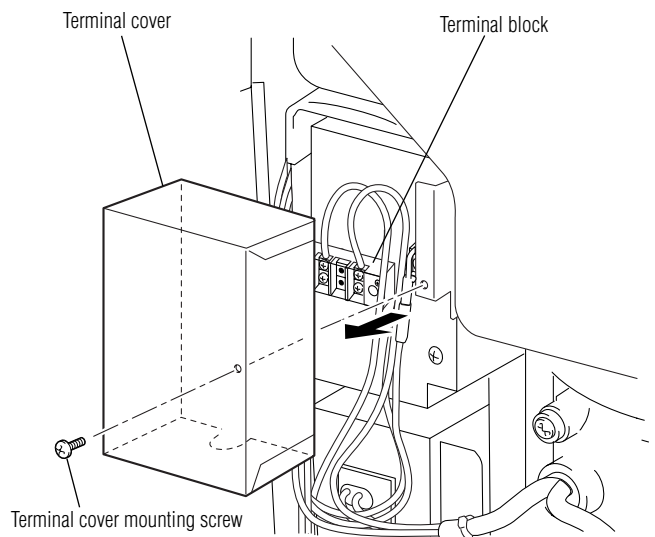
### 1. Remove the front panel.

- (1) Remove screws (2 pcs).
- (2) Disengage the front panel at its groove from the unit. Then remove the panel.



### 2. Remove the terminal cover

Remove the terminal cover mounting-screw. Then pull to remove the cover toward you.

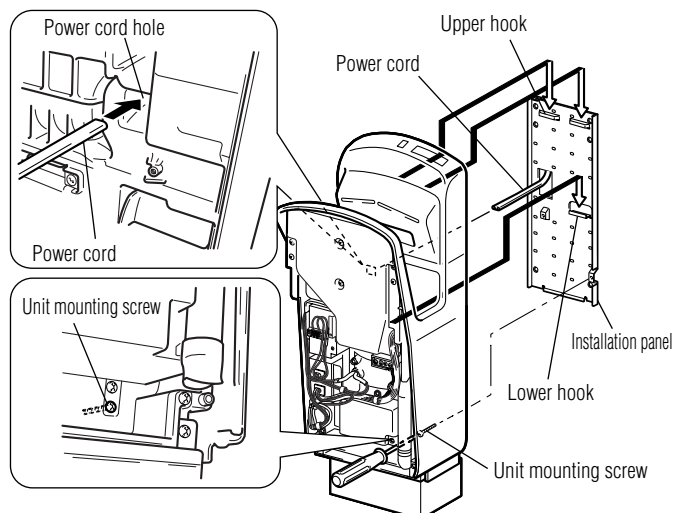


4

### Run the power cord through the unit and secure to the installation panel.

With the power cord running through the hole provided on the backside, hang the backside of the unit on the (three) installation panel hooks. With the unit lightly pressed against the wall, fasten the unit with the mounting screw (temporarily set in the screw hole).

- Be sure to hang the backside of the unit securely on the lower hook, as the mounting screw will not properly fasten if the unit is not properly set.

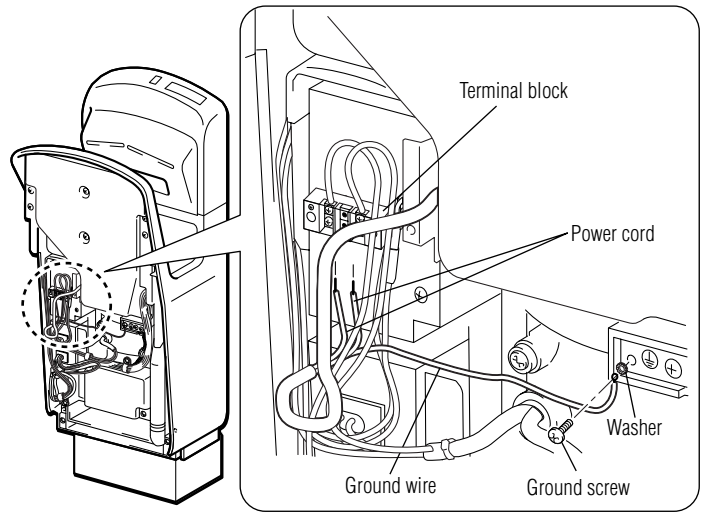


# Installation (Continued)

5

## Make wiring on the terminal block.

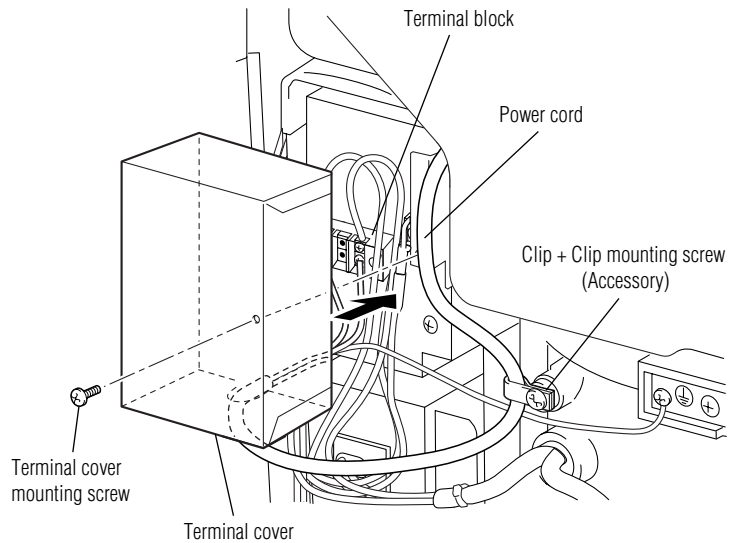
- (1) Remove the wire sheath for 15 mm from the end.
- (2) Connect the ground wire using the ground screw, provided at the right side of the terminal block, and washer.
  - Use the washer at the position as illustrated at right.
- (3) Screw-tighten the power cord to the terminal block securely.
- (4) Check, by pulling the wires, that they are securely fixed to the terminal block.



6

## Install the terminal cover.

- (1) Run the power cord and wires through the rubber bushing. Then use the mounting screw to back the terminal cover on the unit again.
- (2) Install the attached clip on the power cord, and then fix it with the clip mounting screw.
- (3) Confirm that the power cord and wires are not pinched anywhere.
  - Front panel cannot be installed if the wires are placed on the terminal cover. Place the wires to the right side of the cover.

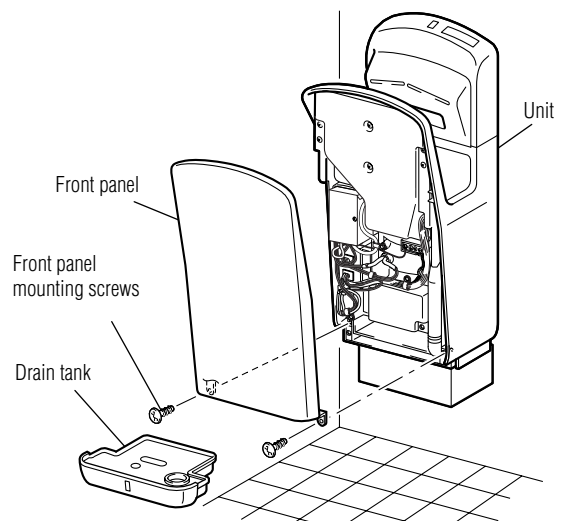


7

## 1. Install the front panel

- (1) Engage the groove of front panel on the unit.
- (2) Using the removed screws (2 pieces), install on the unit as it was.
- (3) Confirm that the front panel is fitted securely.

## 2. Attach the drain tank.



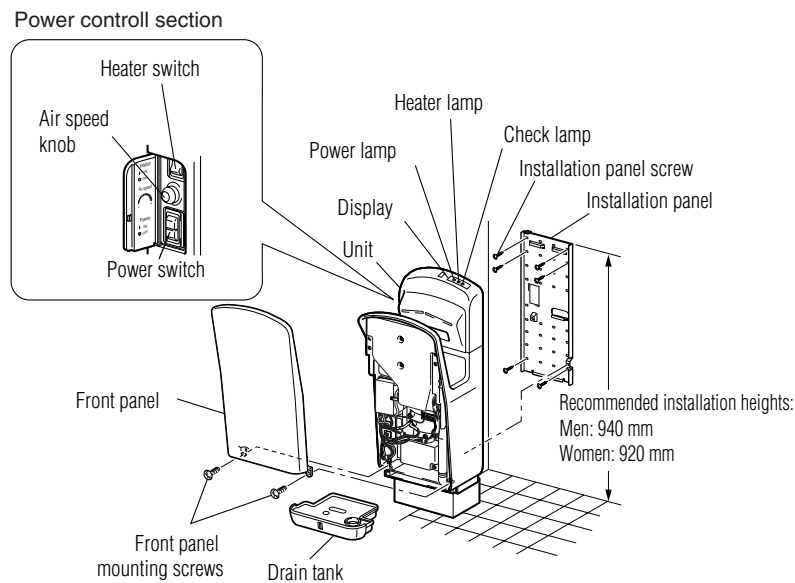
# When installing

## ■ Do not install in the following types of location, as this may cause malfunction.

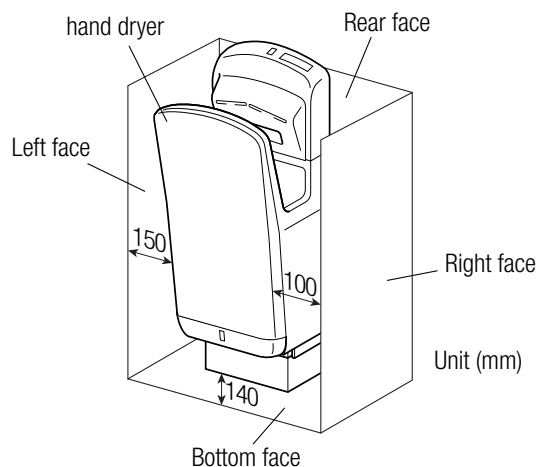
- Locations where the temperature could be lower than 0°C or higher than 40°C.
- Locations where the humidity could be lower than 5%RH or higher than 95%RH.
- Locations where the unit may come into direct contact with water.
- Locations where the unit is under direct or strong sunlight. (May cause sensor to malfunction.)
- Locations where there is a lot of condensation.
- Locations where corrosive, neutral, or reductive gases are present.
- Locations where salt damage may occur.
- Vehicles (incl. vessels, trains.)

## ■ Installation location

- Install the unit somewhere easy to use, as shown below.  
If the unit is installed too low, water may get on it when the floor is being cleaned.  
If water gets inside, it may damage the unit or moisten the sound-absorbent material, leading to bacterial growth.
- The left side of the unit must be at least 150 mm away from any walls, as that is where the power switch is located.
- Ensure there are no mirrors or walls near the right side, as drops of water may splash when drying hands. (We recommend a distance of at least 100 mm.)
- Avoid locations where people or doors might bump into the unit.
- Choose a completely flat surface on the wall to install the unit.
- If the wall is not concrete, reinforce it before installation.
- Avoid to install the unit any place where foods, tableware, or the likes are handled nearby because water may splash.
- Do not embed the unit in the wall.



## ■ Make sure to secure distances larger than those listed below away from walls of building, etc.



Location	Clearance
Top	Open
Left	150mm
Right	100mm
Front	Open
Rear	—
Bottom	140mm