

TECHNICAL SPECIFICATION

Jet Towel - Unheated

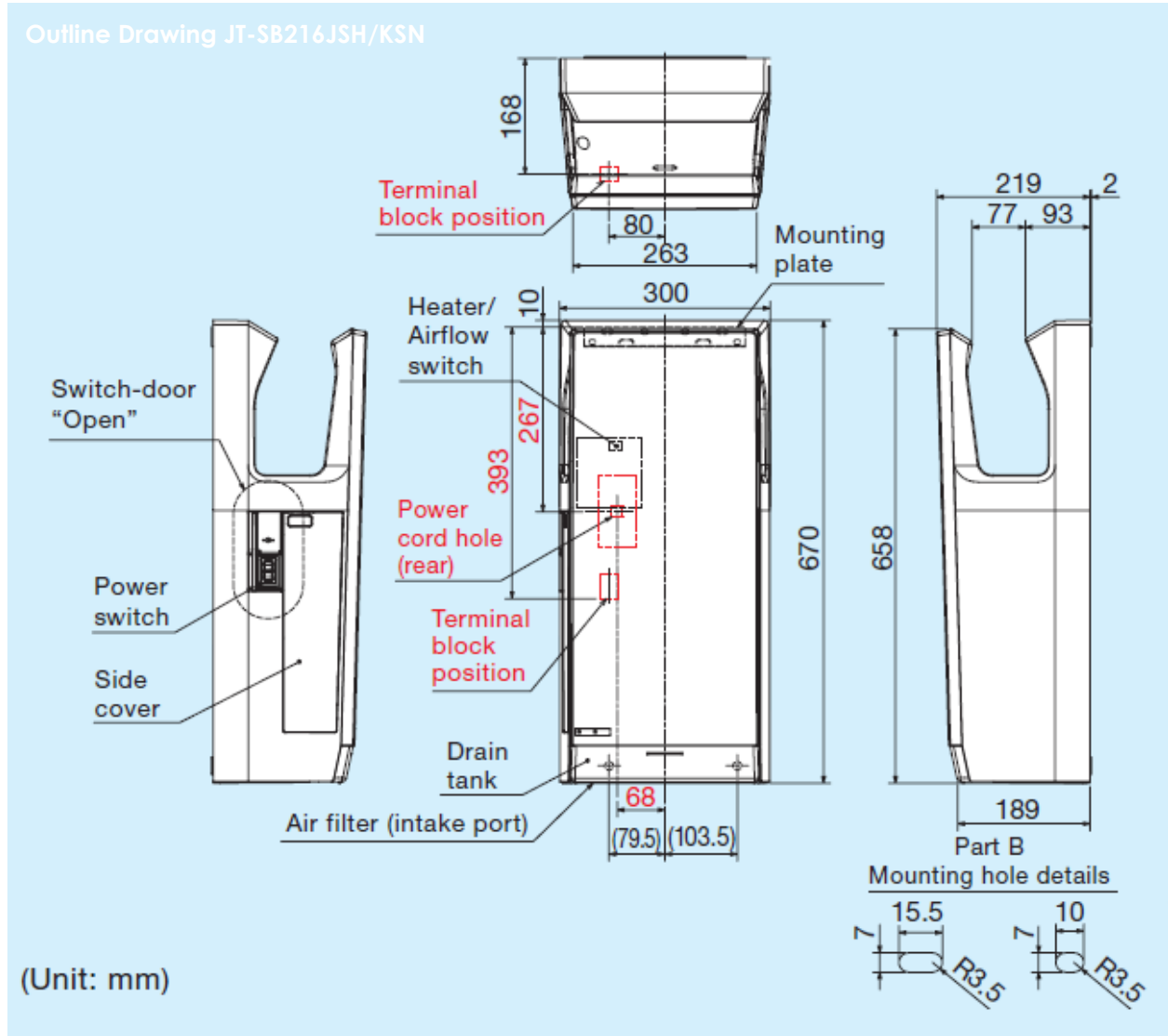
Colours available	White – Part No. JT-SB216KSN-W-CE
Casing Construction	Polypropylene – ABS Anti-microbial material
Electrical	Electrical supply: 220-240V AC, Single phase 50Hz Rated Power: 550W Standby: 1W Motor Type: Brushless DC Motor
Operation	Touch-free lower sensor activation, upper exit sensor Hand dry time: 10-15 seconds Operation switch off period: 30 seconds Airflow rate: 98m/s Volume: 58dB
Running Cost per day*	€ 0.05
Energy used per day*	0.3kWh
CO2 used per day*	0.1kg
(*based on 10 second durations of 200 uses per day)	
Filtration	Lifetime anti-microbial filter
IP Rating	IPX4
Unit Weight	11Kg
Unit Dimensions (w/d/h mm)	300 x 219 x 670
Drain Tank Capacity	0.8 Litres
Safety Components	Thermal fuse, over current breaker
Standard Warranty	2 years parts and labour
Recommended Installation Heights (measured from floor to top back plate)	Male: 925 mm Female: 905mm Child/Disabled: 865-915mm



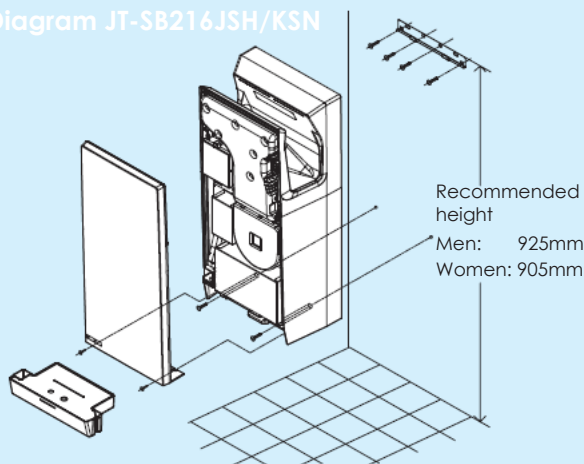
for a greener tomorrow

TECHNICAL SPECIFICATION

Jet Towel - Heated



Mounting Diagram JT-SB216JSH/KSN



* For fastening main unit mounting screws, use a Philips (+) screwdriver with a shaft length of at least 150mm

* Mount the unit so that the left-side cover is removable and the rating label is visible. (At least 150mm, but 200mm or more is recommended. Embedded portion is excluded.) Allow 200mm or more to enable the water drainage duct to be checked after cleaning.

* Allow at least 130mm between the bottom surface (air intake port) of the unit and the floor surface.